



WanXiang Solar

SOLAR MODULES WXS75P



Specifications

Cell Type	Multi-Silicon solar Cells
Cell Size	156mm×156mm
No. of cells and connections	28(4×7)
Dimension of module(mm)	1162×667×30mm
Weight	8.0Kg

Electrical Characteristics

Model	WXS75P
Maximum power at STC(Pm)	75W
Open-circuit voltage(Voc)	16.94V
Short-circuit current(Isc)	6.31A
Voltage at Pmax(Vmp)	13.30V
Current at Pmax(Imp)	5.64A

(STC:Irradiance AM1.5, 1000W/m², 25°C)

Limits

Fuse rating	10A
Maximum system voltage	715VDC
Operating temperature	-40~+85°C

Temperature and Coefficients

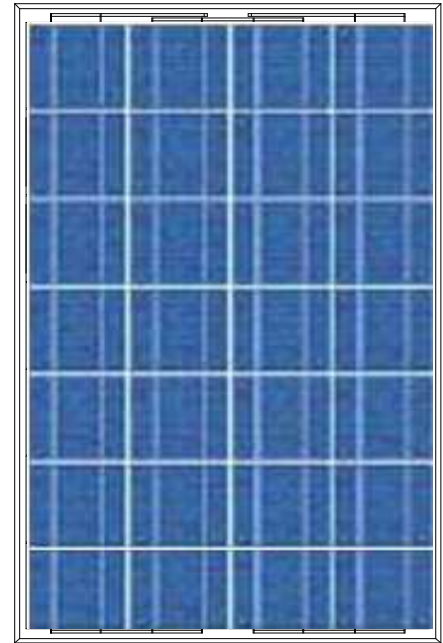
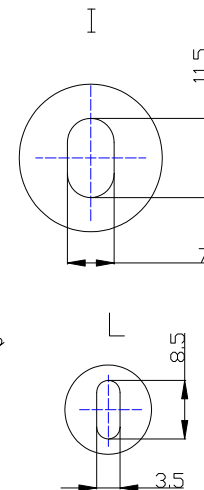
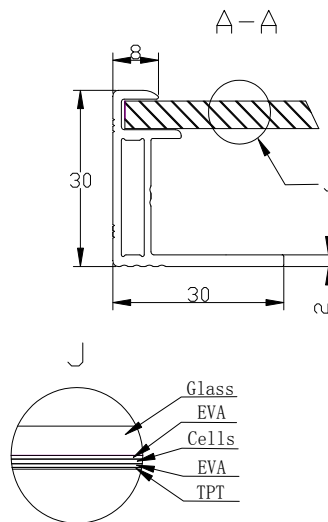
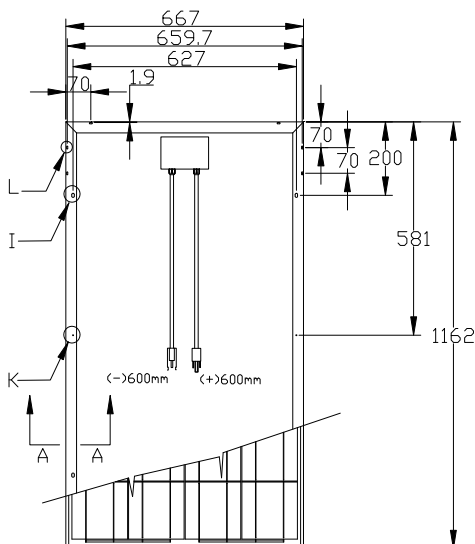
NOCT	48°C ±2°C
Temp coefficient of Voc	-(55 ±5)mV/°C
Temp coefficient of Isc	(0.08 ±0.015)%/°C
Temp coefficient of power	-(0.4 ±0.05)%/°C

NOCT:Nominal Operation Cell Temperature

Output

Type of output terminal	Junction box
Cable	4mm ²
Cable lengths	600mm
Connector	Plug type

Mechanical Characteristics



Characteristics Curve

