



WanXiang Solar

SOLAR MODULES

WXS50P



Specifications

Cell Type	Multi-Silicon solar Cells
Cell Size	78mm×156mm
No. of cells and connections	36(4×9)
Dimension of module(mm)	776×667×28mm
Weight	5.5Kg

Electrical Characteristics

Model	WXS50P
Maximum power at STC(Pm)	50W
Open-circuit voltage(Voc)	21.78V
Short-circuit current(Isc)	3.16A
Voltage at Pmax(Vmp)	17.10V
Current at Pmax(Imp)	2.92A
Application	DC 12V system

(STC:Irradiance AM1.5, 1000W/m², 25°C)

Limits

Fuse rating	10A
Maximum system voltage	715VDC
Operating temperature	-40~+85°C

Temperature and Coefficients

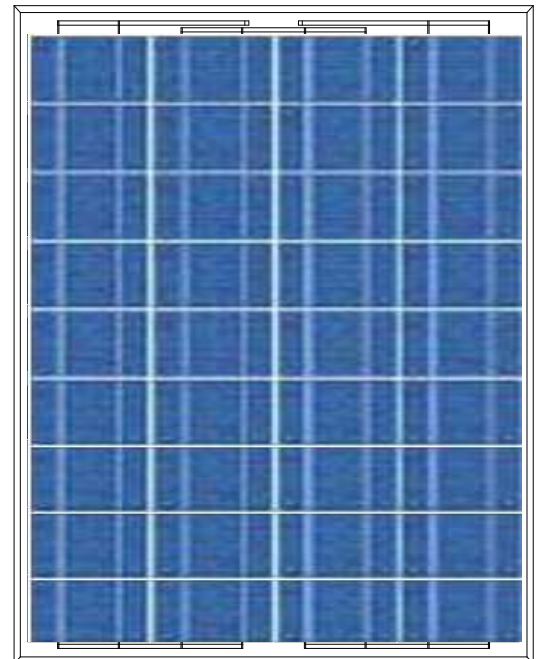
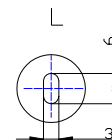
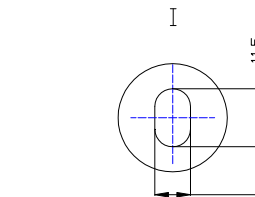
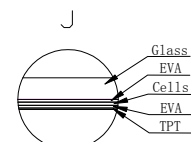
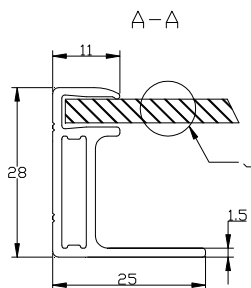
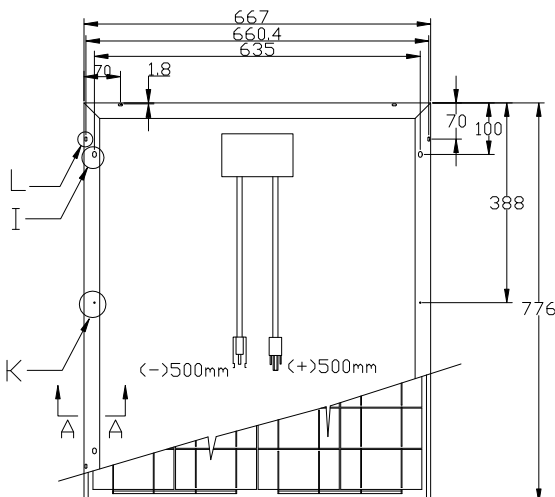
NOCT	48°C ±2°C
Temp coefficient of Voc	-(70±5)mV/°C
Temp coefficient of Isc	(0.08±0.015)%/°C
Temp coefficient of power	-(0.4±0.05)%/°C

NOCT:Nominal Operation Cell Temperature

Output

Type of output terminal	Junction box
Cable	4mm ²
Cable lengths	500mm
Connector	Plug type

Mechanical Characteristics



Characteristics Curve

