



# WanXiang Solar



## SOLAR MODULES WXS280P

### Specifications

|                              |                           |
|------------------------------|---------------------------|
| Cell Type                    | Multi-Silicon solar Cells |
| Cell Size                    | 156mm×156mm               |
| No. of cells and connections | 72(6×12)                  |
| Dimension of module(mm)      | 1956×992×40mm             |
| Weight                       | 23.0Kg                    |

### Electrical Characteristics

|                            |               |
|----------------------------|---------------|
| Model                      | WXS280P       |
| Maximum power at STC(Pm)   | 280W          |
| Open-circuit voltage(Voc)  | 44.28V        |
| Short-circuit current(Isc) | 8.56A         |
| Voltage at Pmax(Vmp)       | 36.72V        |
| Current at Pmax(Imp)       | 7.63A         |
| Application                | DC 24V system |

(STC:Irradiance AM1.5, 1000W/m<sup>2</sup>, 25°C)

### Limits

|                        |           |
|------------------------|-----------|
| Fuse rating            | 15A       |
| Maximum system voltage | 1000VDC   |
| Operating temperature  | -40~+85°C |

### Temperature and Coefficients

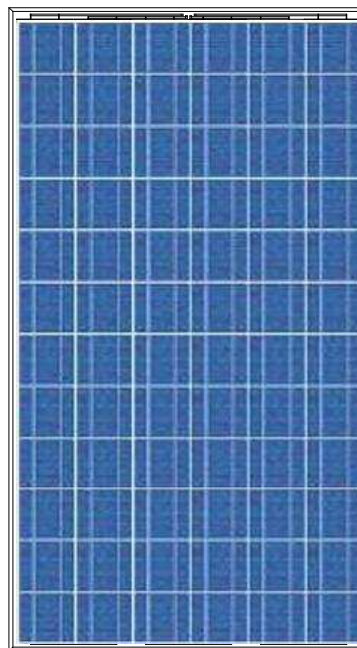
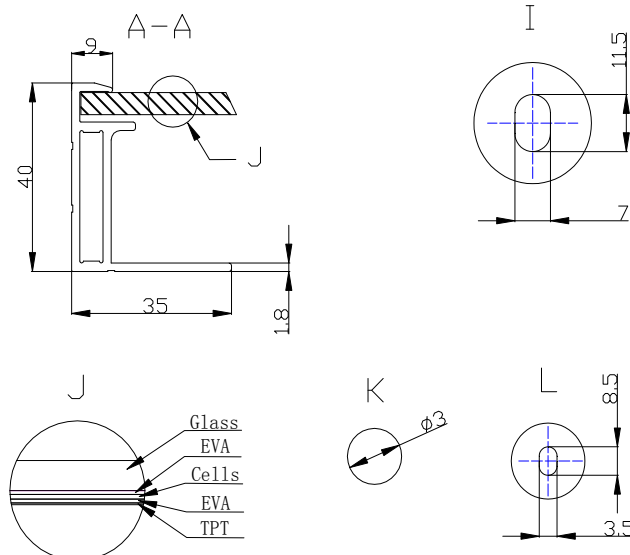
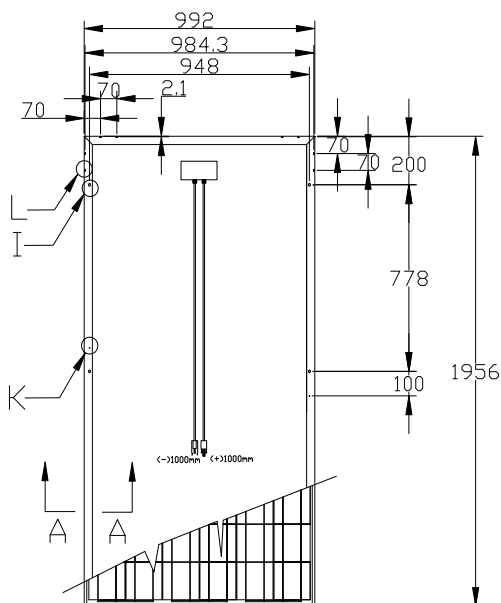
|                           |                    |
|---------------------------|--------------------|
| NOCT                      | 48°C ±2°C          |
| Temp coefficient of Voc   | -(140 ± 15)mV/°C   |
| Temp coefficient of Isc   | (0.08 ± 0.015)%/°C |
| Temp coefficient of power | -(0.4 ± 0.05)%/°C  |

NOCT:Nominal Operation Cell Temperature

### Output

|                         |                  |
|-------------------------|------------------|
| Type of output terminal | Junction box     |
| Cable                   | 4mm <sup>2</sup> |
| Cable lengths           | 1000mm           |
| Connector               | Plug type        |

### Mechanical Characteristics



### Characteristics Curve

