



WanXiang Solar



SOLAR MODULES

WXS115P

Specifications

Cell Type	Multi-Silicon solar Cells
Cell Size	156mm×156mm
No. of cells and connections	32(4×8)
Dimension of module(mm)	1322×669×30mm
Weight	10.5Kg

Electrical Characteristics

Model	WXS115P
Maximum power at STC(Pm)	115W
Open-circuit voltage(Voc)	19.68V
Short-circuit current(Isc)	8.01A
Voltage at Pmax(Vmp)	16.16V
Current at Pmax(Impp)	7.12A

(STC:Irradiance AM1.5, 1000W/m², 25°C)

Limits

Fuse rating	15A
Maximum system voltage	1000VDC
Operating temperature	-40~+85°C

Temperature and Coefficients

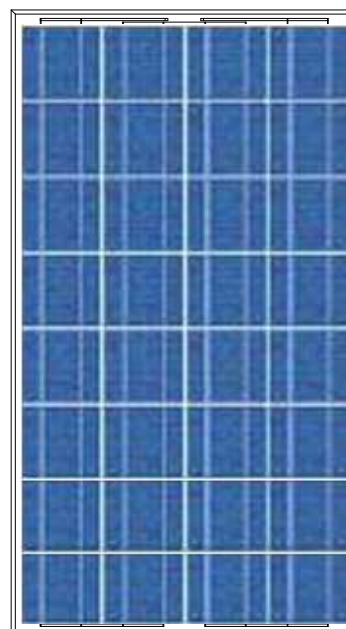
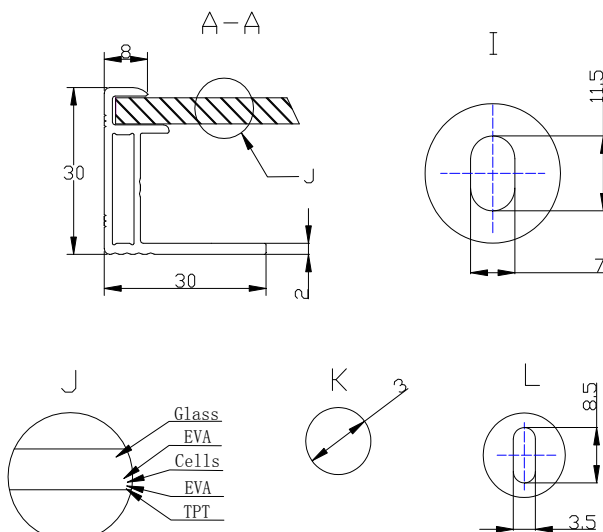
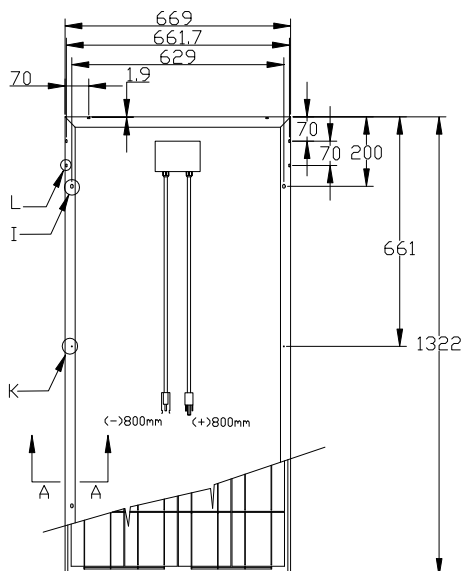
NOCT	48°C±2°C
Temp coefficient of Voc	-(65±5)mV/°C
Temp coefficient of Isc	(0.08±0.015)%/°C
Temp coefficient of power	-(0.4±0.05)%/°C

NOCT:Nominal Operation Cell Temperature

Output

Type of output terminal	Junction box
Cable	4mm ²
Cable lengths	800mm
Connector	Plug type

Mechanical Characteristics



Characteristics Curve

