



Universal Solar

Solar Modules WXS185S-US



Specifications

Cell Type	Mono-Silicon solar Cells
Cell Size	125×125mm(4.29x4.29in)
No. of cells and connections	72(6×12)
Dimension of module(mm)	1580×808×40mm(62.13x31.81x1.57in)
Weight	15.0Kg(33.1lbs)

Electrical Characteristics

Model	WXS185S-US
Maximum power at STC(Pm)	185W
Open-circuit voltage(Voc)	44.24V
Short-circuit current(Isc)	5.84A
Voltage at Pmax(Vmp)	36.68V
Current at Pmax(Imp)	5.04A
Application	DC 24V system

(STC:Irradiance AM1.5, 1000W/m², 25°C)

Limits

Fuse rating	15A
UL maximum system voltage	600VDC
TUV maximum system voltage	1000VDC
Operating temperature	-40°F to +185°F(-40 to +85 °C)

Temperature and Coefficients

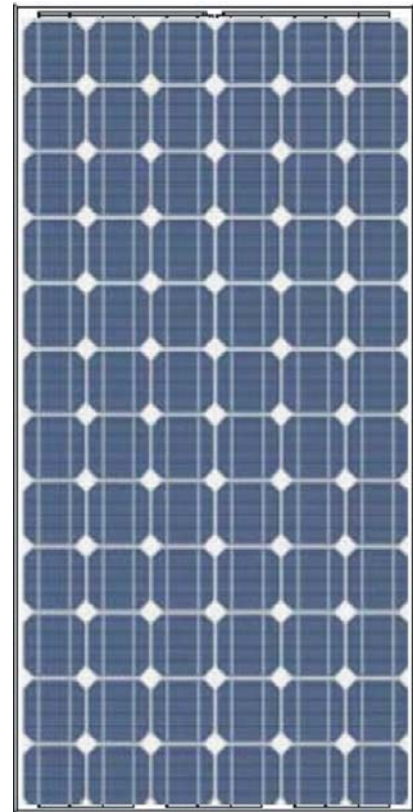
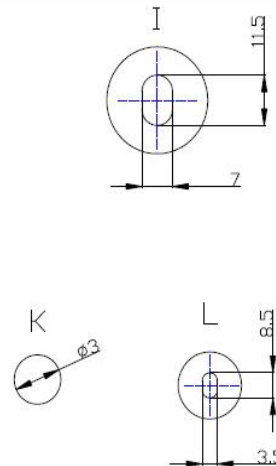
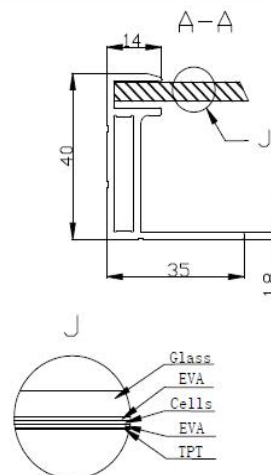
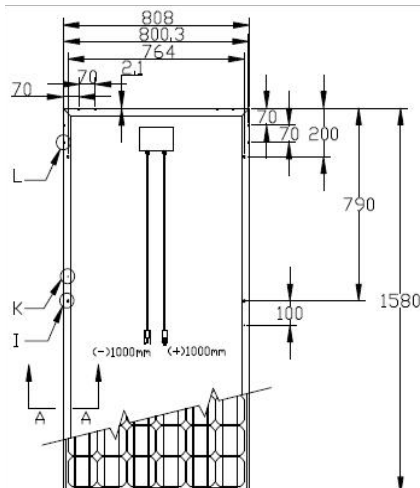
NOCT	48°C±2°C
Temp coefficient of Voc	-0.30%/°C
Temp coefficient of Isc	0.037%/°C
Temp coefficient of power	-0.48%/°C

NOCT:Nominal Operation Cell Temperature

Output

Type of output terminal	Junction box
Cable	12AWG
Cable lengths	1000mm(39.37in)
Connector	Tyco Electronis Solarlok

Mechanical Characteristics



Characteristics Curve

