



# WanXiang Solar



## SOLAR MODULES WXS65S

### Specifications

Cell Type	Mono-Silicon solar Cells
Cell Size	125mm×125mm
No. of cells and connections	28(4×7)
Dimension of module(mm)	945×543×30mm
Weight	5.5Kg

### Electrical Characteristics

Model	WXS65S
Maximum power at STC(Pm)	65W
Open-circuit voltage(Voc)	17.08V
Short-circuit current(Isc)	5.06A
Voltage at Pmax(Vmp)	14.17V
Current at Pmax(Imp)	4.59A

(STC:Irradiance AM1.5, 1000W/m<sup>2</sup>, 25°C)

### Limits

Fuse rating	10A
Maximum system voltage	715VDC
Operating temperature	-40~+85°C

### Temperature and Coefficients

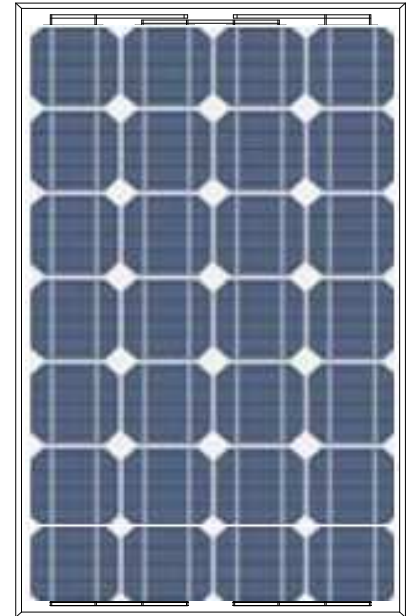
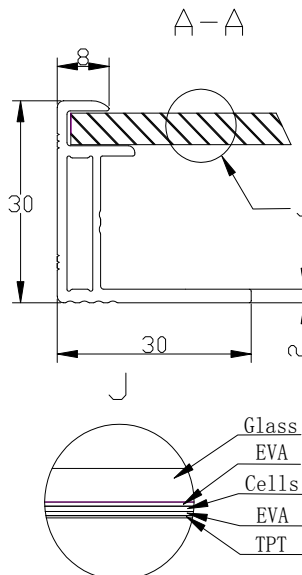
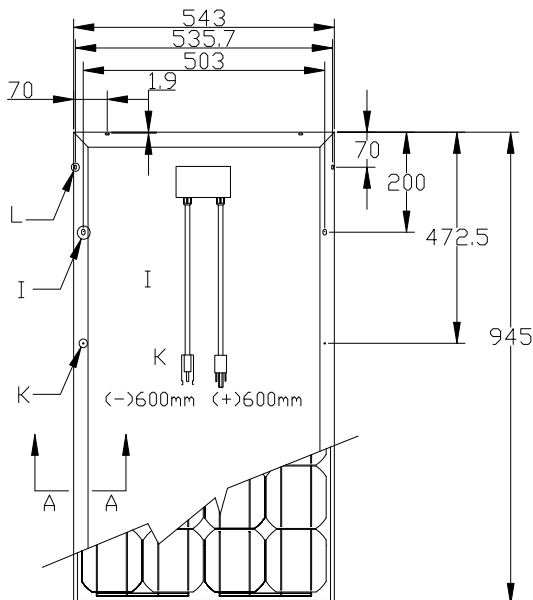
NOCT	48°C+2°C
Temp coefficient of Voc	-(0.33±0.03)%/°C
Temp coefficient of Isc	(0.035±0.015)%/°C
Temp coefficient of power	-(0.5±0.05)%/°C

NOCT:Nominal Operation Cell Temperature

### Output

Type of output terminal	Junction box
Cable	4mm <sup>2</sup>
Cable lengths	600mm
Connector	Plug type

### Mechanical Characteristics



### Characteristics Curve

