



WanXiang Solar



SOLAR MODULES WXS40S

Specifications

Cell Type	Mono-Silicon solar Cells
Cell Size	125mm×62.5mm
No. of cells and connections	36(4×9)
Dimension of module(mm)	644×551×28mm
Weight	4.0Kg

Electrical Characteristics

Model	WXS40S
Maximum power at STC(Pm)	40W
Open-circuit voltage(Voc)	21.96V
Short-circuit current(Isc)	2.45A
Voltage at Pmax(Vmp)	17.64V
Current at Pmax(Imp)	2.27A
Application	DC 12V system

(STC:Irradiance AM1.5, 1000W/m², 25°C)

Limits

Fuse rating	10A
Maximum system voltage	715VDC
Operating temperature	-40~+85°C

Temperature and Coefficients

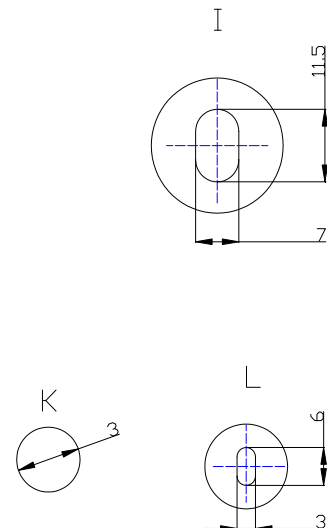
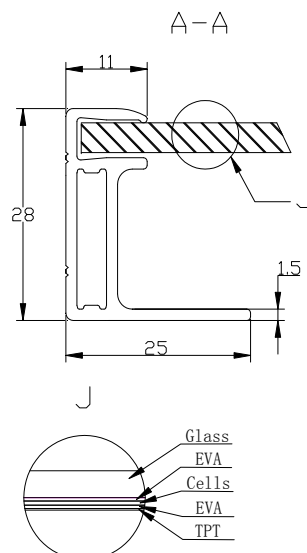
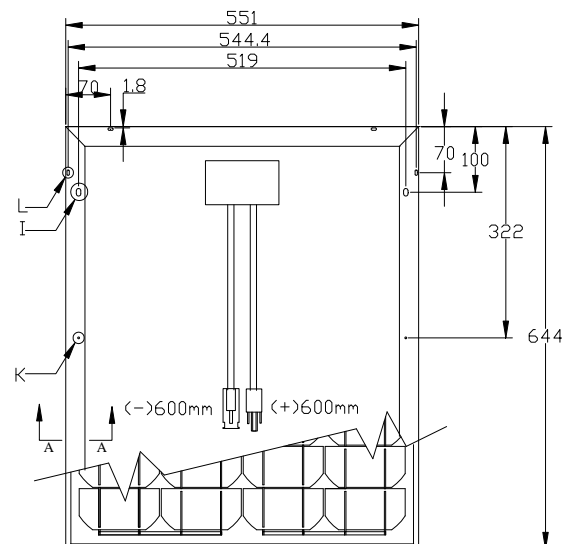
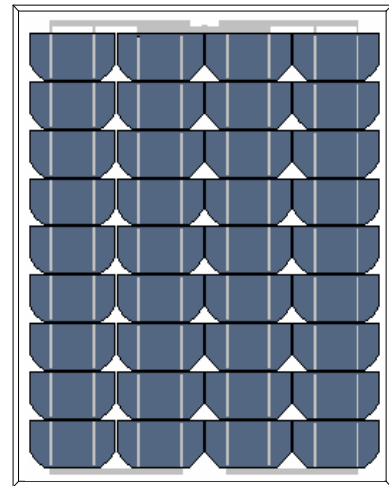
NOCT	48°C±2°C
Temp coefficient of Voc	-(0.33±0.03)%/°C
Temp coefficient of Isc	(0.035±0.015)%/°C
Temp coefficient of power	-(0.5±0.05)%/°C

NOCT:Nominal Operation Cell Temperature

Output

Type of output terminal	Junction box
Cable	4mm ²
Cable lengths	600mm
Connector	Plug type

Mechanical Characteristics



Characteristics Curve

