



WanXiang Solar



SOLAR MODULES

WXS110S

Specifications

Cell Type	Mono-Silicon solar Cells
Cell Size	125mm×125mm
No. of cells and connections	48(6×8)
Dimension of module(mm)	1074×801×35mm
Weight	10.0Kg

Electrical Characteristics

Model	WXS110S
Maximum power at STC(P _m)	110W
Open-circuit voltage(V _{oc})	29.28V
Short-circuit current(I _{sc})	5.08A
Voltage at P _{max} (V _{mp})	23.76V
Current at P _{max} (I _{mp})	4.63A

(STC:Irradiance AM1.5, 1000W/m², 25°C)

Limits

Fuse rating	15A
Maximum system voltage	1000VDC
Operating temperature	-40~+85°C

Temperature and Coefficients

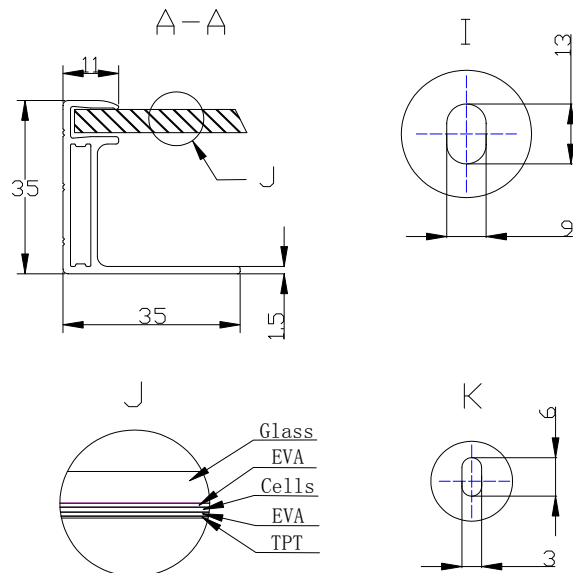
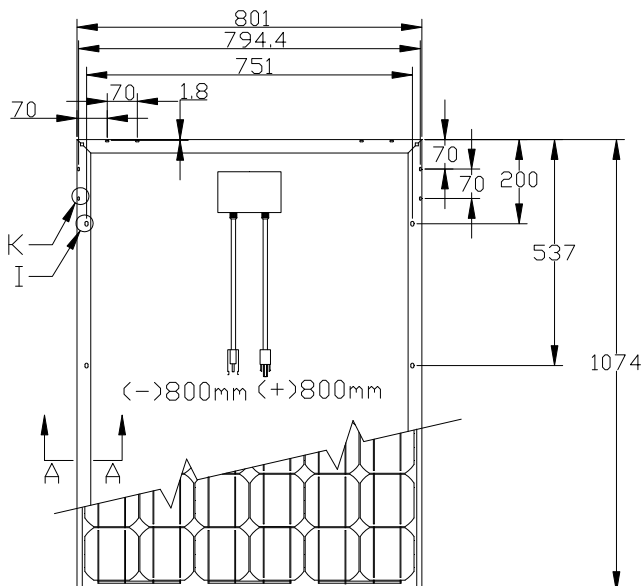
NOCT	48°C±2°C
Temp coefficient of V _{oc}	-(0.33±0.03)%/°C
Temp coefficient of I _{sc}	(0.035±0.015)%/°C
Temp coefficient of power	-(0.5±0.05)%/°C

NOCT:Nominal Operation Cell Temperature

Output

Type of output terminal	Junction box
Cable	4mm ²
Cable lengths	800mm
Connector	Plug type

Mechanical Characteristics



Characteristics Curve

